

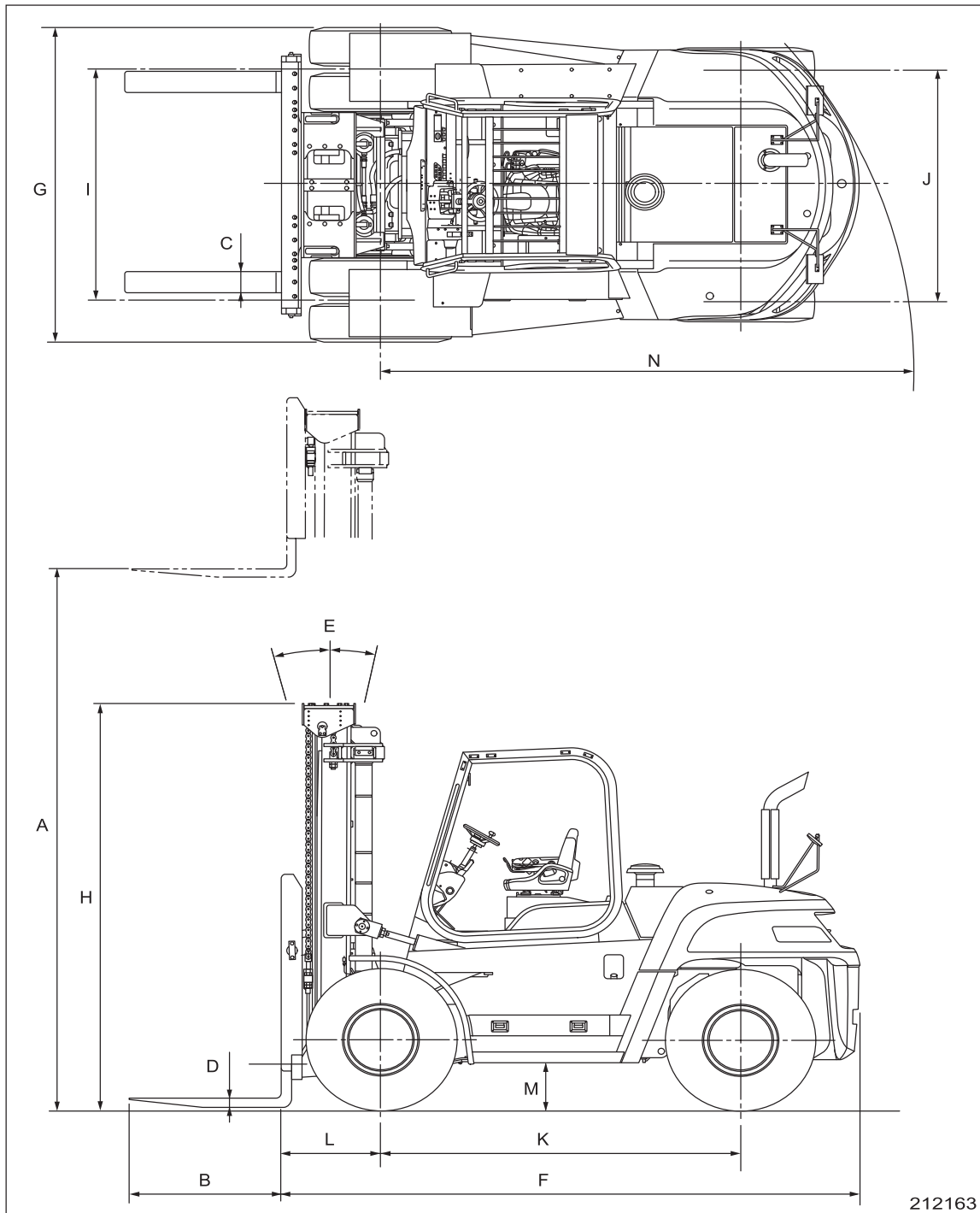
## GENERAL INFORMATION

### 4. Main specifications

Truck model		FD100N	FD120N	FD135N	FD150AN	FD160AN	
Designation		F15D	F15D	F15D	F24B	F39	
Type		Standard (with 3-speed powershift transmission)					
General	Capacity/load center	10000/600 kgf/mm (17500/24 lbf/in.)	12000/600 kgf/mm (20000/24 lbf/in.)	13500/600 kgf/mm (17500/24 lbf/in.)	15000/600 kgf/mm (20000/24 lbf/in.)	16000/600 kgf/mm (17500/24 lbf/in.)	
	Lift	3300 mm (130 in.)					
	Lift speed (unloaded/ loaded)	480/360 mm/sec (104/98 fpm)			400/310 mm/sec (79/61 fpm)		370/310 mm/sec (73/61 fpm)
	Lowering speed (unloaded/ loaded)	500/450 mm/sec (98/89 fpm)			510/380 mm/sec (100/75 fpm)		470/420 mm/sec (93/83 fpm)
	Tilt angle (forward-back- ward)	15°– 12°					
	Free lift	0					
Perform- ance	Travel speeds (unloaded/ loaded)	Forward	29/24.5 km/h (18/15 mph)		30/22.0 km/h (19/14 mph)		
		Reverse					
	Minimum turning radius	4000 mm (157 in.)	4060 mm (160 in.)	4160 mm (164 in.)	4550 mm (179 in.)	4815 mm (190 in.)	
	Turning angle	Inside	78.27°				–
		Outside	51°14'				–
Minimum intersecting aisle	3550 mm (140 in.)	3590 mm (141 in.)	3680 mm (145 in.)	3830 mm (151 in.)	–		
Tires	Gradeabil- ity (rated load)	At 1.6 km/h (1 mph)	30%	27%	26%	27%	29%
		At 2 km/h (1.2 mph)	21%	19%	15%	14%	
	Size of tires (front and rear)	10.00-20-14PR (I)	10.00-20-16PR (I)	12.00-20-18PR (I)		12.00-20-20PR (I)	
	Inflation pressure of tires (front and rear)	700 kPa (7.0 kgf/cm <sup>2</sup> ) [101 psi]	800 kPa (8.0 kgf/cm <sup>2</sup> ) [116 psi]	800 kPa (7.7 kgf/cm <sup>2</sup> ) [94 psi]		–	
Weight and axle loading (unload )	Weight	14800 kg (32630 lb)	16060 kg (28800 lb)	17700 kg (39020 lb)	18050 kg (39790 lb)	18950 kg (41780 lb)	
	Front axle loading	7450 kg (16420 lb)	7340 kg (16180 lb)	7850 kg (17310 lb)	8190 kg (18050 lb)	8910 kg (19640 lb)	
	Rear axle loading	7350 kg (16200 lb)	8720 kg (19250 lb)	9850 kg (21720 lb)	9860 kg (21730 lb)	10040 kg (22130 lb)	

## GENERAL INFORMATION

### 6. Dimensions (Approximate)



212163

## GENERAL INFORMATION

No.	Truck model	FD100N	FD120N	FD135N	FD150AN	FD160AN
A	Lift	3300 mm (130 in.)				
B	Fork length	1220 mm (48 in.)				
C	Fork width	180 mm (7.1 in.)				
D	Fork thickness	72 mm (2.8 in.)	79 mm (3.1 in.)	88 mm (3.5 in.)	88 mm (3.5 in.)	92 mm (3.6 in.)
E	Tilt angle (forward-backward)	15°–12°				
F	Overall length	4295 mm (169 in.)	4375 mm (172 in.)	4530 mm (178 in.)	4830 mm (190 in.)	5040 mm (198 in.)
G	Overall width (outside of tires)	2515 mm (99 in.)		2600 mm (102 in.)		5040 mm (198 in.)
H	Overall height (to top of mast lowered)	3235 mm (127 in.)		3480 mm (137 in.)		3680 mm (145 in.)
I	Tread (front)	1900 mm (75 in.)		1905 mm (75 in.)		
J	Tread (rear)	1765 mm (77 in.)		1925 mm (76 in.)		1890 mm (74 in.)
K	Wheelbase	2800 mm (110 in.)			3100 mm (122 in.)	3300 mm (130 in.)
L	Front overhang	755 mm (29.7 in.)	765 mm (30 in.)	795 mm (31.3 in.)	795 mm (31.3 in.)	805 mm (31.7 in.)
M	Ground clearance (at frame)	275 mm (10.8 in.)		320 mm (12.6 in.)		
N	Minimum turning radius	4000 mm (157 in.)	4060 mm (160 in.)	4160 mm (164 in.)	4550 mm (179 in.)	4815 mm (190 in.)